

Аксессуары

Технические характеристики

По вопросам продаж и поддержки обращайтесь:

Алматы (727)345-47-04
Ангарск (3955)60-70-56
Архангельск (8182)63-90-72
Астрахань (8512)99-46-04
Барнаул (3852)73-04-60
Белгород (4722)40-23-64
Благовещенск (4162)22-76-07
Брянск (4832)59-03-52
Владивосток (423)249-28-31
Владикавказ (8672)28-90-48
Владимир (4922)49-43-18
Волгоград (844)278-03-48
Вологда (8172)26-41-59
Воронеж (473)204-51-73
Екатеринбург (343)384-55-89

Иваново (4932)77-34-06
Ижевск (3412)26-03-58
Иркутск (395)279-98-46
Казань (843)206-01-48
Калининград (4012)72-03-81
Калуга (4842)92-23-67
Кемерово (3842)65-04-62
Киров (8332)68-02-04
Коломна (4966)23-41-49
Кострома (4942)77-07-48
Краснодар (861)203-40-90
Красноярск (391)204-63-61
Курск (4712)77-13-04
Курган (3522)50-90-47
Липецк (4742)52-20-81

Магнитогорск (3519)55-03-13
Москва (495)268-04-70
Мурманск (8152)59-64-93
Набережные Челны (8552)20-53-41
Нижний Новгород (831)429-08-12
Новокузнецк (3843)20-46-81
Ноябрьск (3496)41-32-12
Новосибирск (383)227-86-73
Омск (3812)21-46-40
Орел (4862)44-53-42
Оренбург (3532)37-68-04
Пенза (8412)22-31-16
Петрозаводск (8142)55-98-37
Псков (8112)59-10-37
Пермь (342)205-81-47

Ростов-на-Дону (863)308-18-15
Рязань (4912)46-61-64
Самара (846)206-03-16
Санкт-Петербург (812)309-46-40
Саратов (845)249-38-78
Севастополь (8692)22-31-93
Саранск (8342)22-96-24
Симферополь (3652)67-13-56
Смоленск (4812)29-41-54
Сочи (862)225-72-31
Ставрополь (8652)20-65-13
Сургут (3462)77-98-35
Сыктывкар (8212)25-95-17
Тамбов (4752)50-40-97
Тверь (4822)63-31-35

Тольятти (8482)63-91-07
Томск (3822)98-41-53
Тула (4872)33-79-87
Тюмень (3452)66-21-18
Ульяновск (8422)24-23-59
Улан-Удэ (3012)59-97-51
Уфа (347)229-48-12
Хабаровск (4212)92-98-04
Чебоксары (8352)28-53-07
Челябинск (351)202-03-61
Череповец (8202)49-02-64
Чита (3022)38-34-83
Якутск (4112)23-90-97
Ярославль (4852)69-52-93

Россия +7(495)268-04-70

Казахстан +7(727)345-47-04

Беларусь +(375)257-127-884

Узбекистан +998(71)205-18-59

Киргизия +996(312)96-26-47

эл.почта: wkd@nt-rt.ru || сайт: <https://wexiodisk.nt-rt.ru/>

Basin line

for soaking of bulky dishes

The basin line is an important product to get a good logistic flow in the wash room. The basin line is used to soak bulky dishes such as larger pots and containers. The basin line can preferably be connected to a Wexiödisk rack conveyor or a hood type dishwasher.

The basin line is made of stainless steel and available in two standard lengths, 600 mm and 1100 mm. These two lengths can be combined to suit the wash room layout. The flexible system can also be supplemented with a pistol sprayer and sorting shelves (see next page).

The basin line is equipped with short rollers as standard but can also be obtained with a slide rail for heavier goods.

As practical accessories add a waste bin on wheels and a food scraper.



STRAINER Ø160 MM
AND SPLASH PLATE

STAINLESS STEEL BASIN LINE IN
VARIOUS LENGTHS TO SUIT THE
WASHROOM LAYOUT.

AVOID UNNECESSARY LIFTING
OF THE BASKETS.
DIRECTION INDEPENDENT.

BASIN DEPTH 300 MM
GIVES GOOD POSSIBILITIES TO
SOAK BULKY DISHES.

CAN BE COMBINED WITH
A SORTING SHELF.

FLEXIBLE WASHROOM LAYOUTS

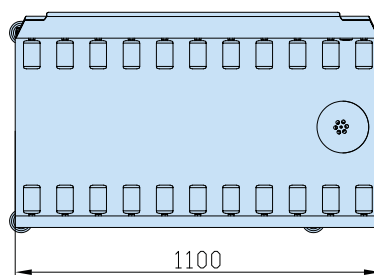
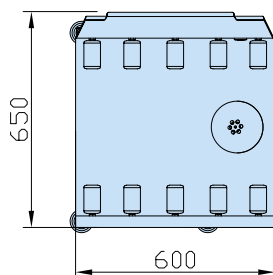
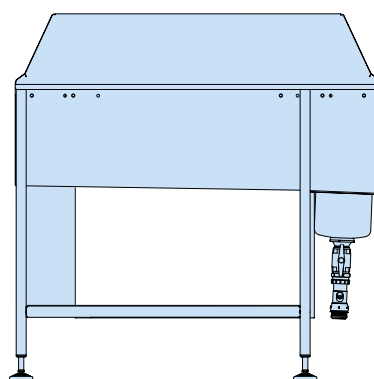
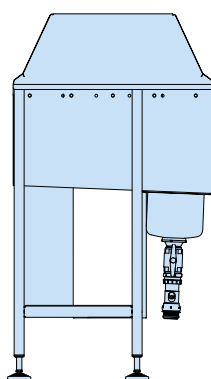
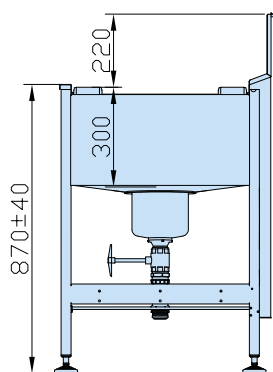


BASIN LINE 1100 WITH SORTING SHELF 600



BASIN LINE 1100 WITH SORTING SHELF 1100
BASIN LINE 600 WITH PISTOL SPRAYER
PRE-RINSE MACHINE PRM
HOOD TYPE DISHWASHER WD-6 DUPLUS
DRYING TABLE 1100

DRAWING BASIN LINE





Integrated under-bench-set for undercounter dishwasher WD-4S

- ✓ Efficient and easy handling of dishes.
- ✓ Soak up to GN 1/1.
- ✓ Easy storage of dishwashing and drying agents.

Description

An optimal and effective integrated under-the-bench set for the WD-4.

- Makes the work in the dishwashing room more
- The bench is made of stainless steel.
- The basin is built for soaking of washware up to GN 1/1.

Under bench set left: art. no 201.0550V

Under bench set right: art. no 201.0550H

A storage area for detergent, drying agent and baskets is safely placed behind the lockable door on the dishwasher's side.

Dockable loading trolley

for improved efficiency in the dishwashing room

- The dockable rolling cart replaces fixed benches in the dishwashing area, providing the user with greater flexibility when scrubbing plates and larger pots before washing them in the heavy-duty dishwasher.
- Thanks to the trolley's wheeled design, it is easy and convenient to both move cleaned items, perform daily cleaning of the dishwasher as well as cleaning of the dishwashing area.
- It is easy to access items such as washing detergent, which is often wall-mounted. Fixed benches can be an obstacle and reduce accessibility.
- During service visits, troubleshooting and component replacement are simplified.
- Easier to carry out the daily cleaning of the dishwasher.

Thanks to the same height level between the trolley and the dishwasher the heavy lifting of wash items and basket is minimized.



Easy to connect the loading table to the dishwasher thanks to a stainless steel guide rail.

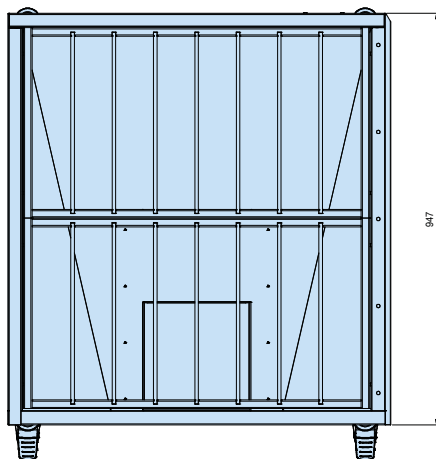
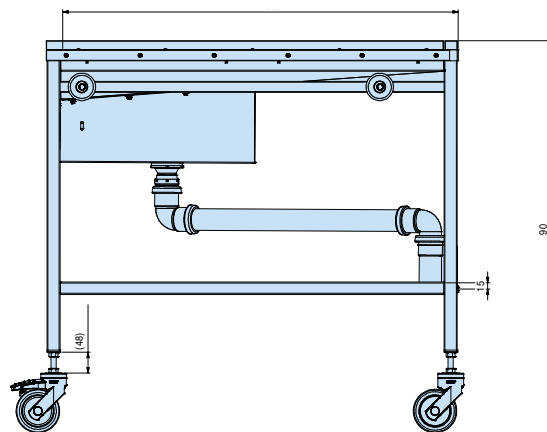
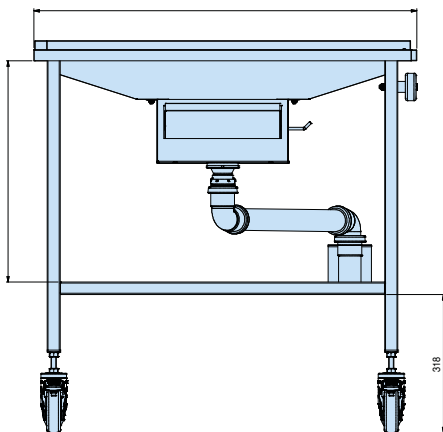
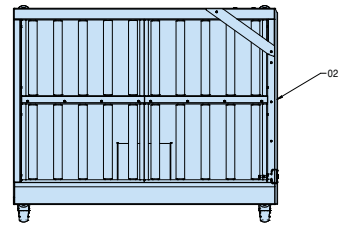
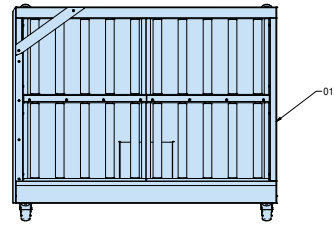
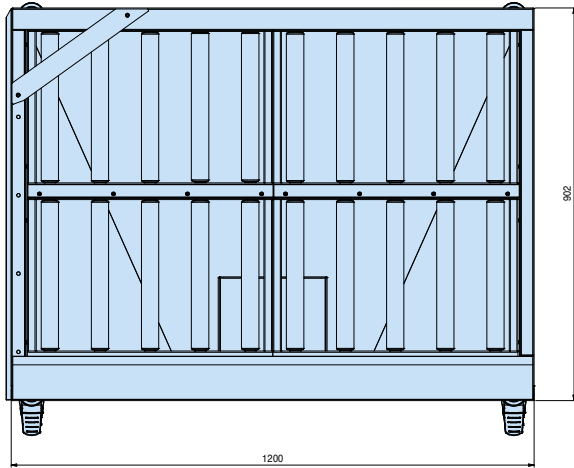
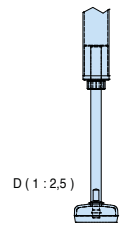
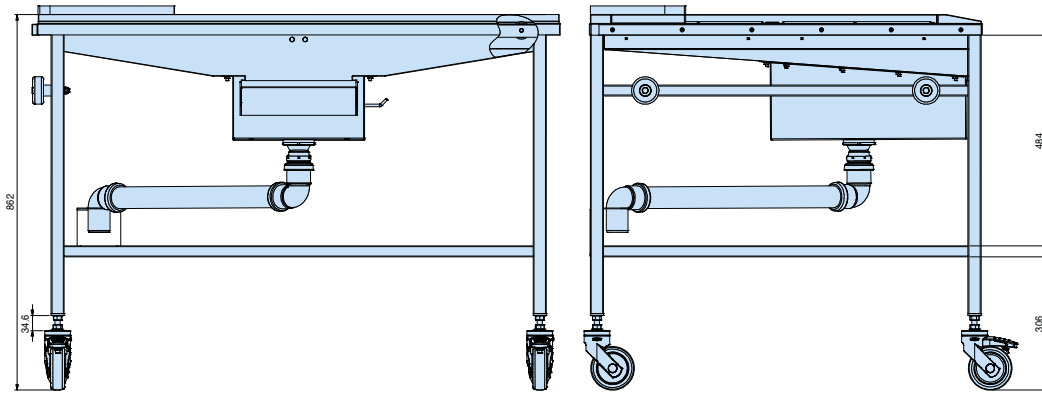
A robust stainless steel construction with lockable wheels.

The trolley can be placed on either the left or right side of the dishwasher

Flexible drain solution

DOCKABLE LOADING TROLLEY	WD-90 DUO, WD-90GR
Measures: length x width x height	900 x 950 x (870 +/-40)
Art.no	209.7454

DOCKABLE LOADING TROLLEY	WD-100GR
Measures: length x width x height	1200 x 900 x (870 +/-40)
Art.no	209.7330





Foldable metal shelf (internal) - universal

- ✔ The grid shelf is compatible with the WD12-S combi dishwasher.
- ✔ Designed for stacking directly into the machine without a dish rack.

Description

As an optional accessory for the WD-12S, there is a grid shelf where trays and other bulky items can be placed directly. The grid shelf is equipped with support sections that can be folded up and down so that various types of dishware can be washed.

Art. no. 206.5372



Wexiödisk Granules - for optimal heavy-duty dishwashing

- ✓ No need to soak the goods in before the washing
- ✓ The amount of chemicals can be reduced

Description

Granules are small, blue plastic balls. The washing tank is filled with them and during the washing programme they are circulated together with the water and the chemicals to remove food residue from the dishes. The granules may seem small, but because they weigh more than water they are also more powerful.

- 10kg granules - delivered in a bucket
- Art. no: 209.7260



CORNER FEEDER

FEATURES

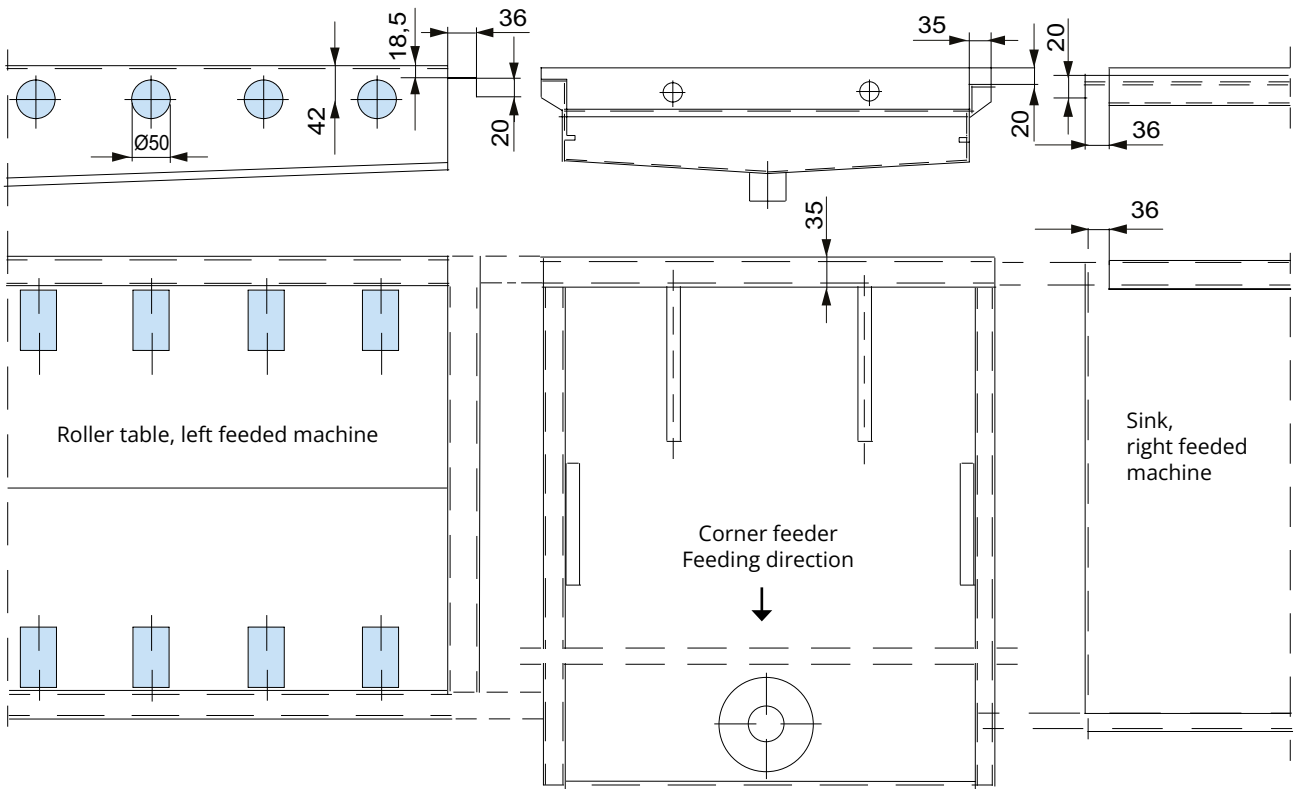
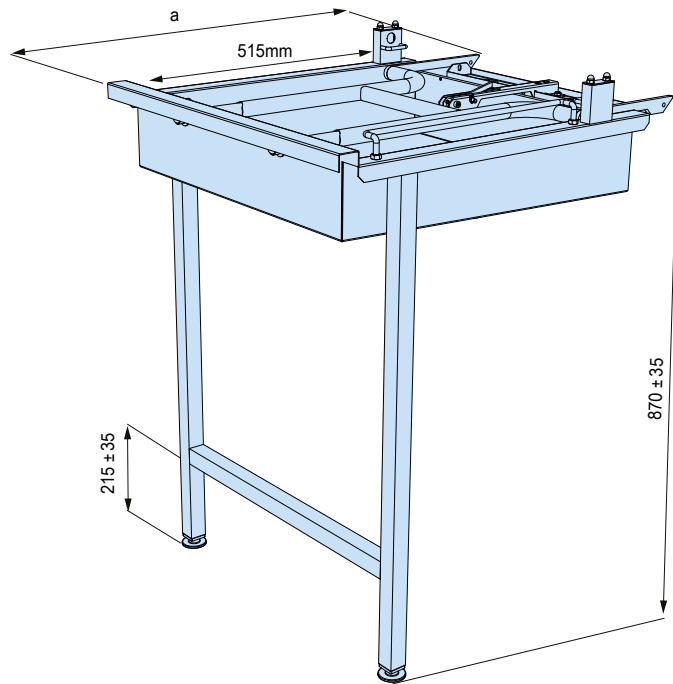
- The corner feeder is made of stainless steel
- The stand is made of stainless square pipes and fitted with adjustable plastic feet.
- The feed rods are connected with the machine feed. No separate feed motor is required.
- The corner feeder, which is available for both left- and right fed machines, can handle the input on a minimal space.

OPTIONS

- Prepared for rack conveyor
- Corner feeder. $a = 631$ ut to 2785 mm

Corner feeder - standard

$a = 630$ mm.





Shelf for chemicals alt. RO-unit - fits hood type dishwashers WD-6/7/8

- ✓ Contributes to a more organized and safe work environment
- ✓ Stainless steel
- ✓ Easy access to chemicals
- ✓ For placement on the right or left side of the machine
- ✓ Width = 200 mm

Description

Specifically designed to fit the hood dishwashers WD-6, WD-7, and WD-8, ensuring stability and easy installation. Optimizes chemical storage while contributing to a clean and organized workspace.

- Art no: 203.0663



Steam hood minimises the steam in the room - for a better working environment

- ✓ The steam in the room is minimised
- ✓ Provides a better working environment
- ✓ The hot water vapor is recycled and sucked back to the machine's tank

Description

As an accessory to hood type dishwashing machines, we offer a steam hood which can be attached to the top edge of the machine with screws.

For attachment to a wall, 2 brackets are enclosed.

When the machine's hood is opened, hot steam evacuates via the back.

The connection for the steam hood is designed so that the condensation runs back into the machine's tank.

The steam hood is connected to the ventilation system with a hose or 160 mm diam. pipe.

Artikel no. steam hood WD-6: WD203.0630

Artikel no. steam hood WD-7: WD203.0730

Artikel no. steam hood WD-8: WD203.0830



Canteen holder WD-4S for three canteens

- ✔ Canteen holder compatible with WD-4S
- ✔ For 3 canteens 1/1, depth 65 mm (not included)



Condensing unit - improves working environment, saves energy

- ✓ Improves the working environment
- ✓ Recovers the energy in steam
- ✓ Cold water connection

Description

Available as an option with our hood type dishwashing machines, we offer a condensing unit which is attached on the top edge of the machine.

Using this accessory significantly improves the working environment and room climate at the same time as saving energy.

The ventilation flow needed for the room is reduced with up to 50%.

The condensing unit can save 9% energy or 0,03 kWh/basket.

- Gives a better working environment
- Significantly improves the room climate.
- Economical
- Recovers the energy in steam.



LOCKABLE CABINET - WD-6/7/8

FOR CHEMICALS / STORAGE FOR - WD-RO150 UNIT /ROLLER CONVEYOR

FEATURES

- Improves safety and organization in your kitchen
- Suitable for items such as chemicals.
- The cabinet is designed for the hood dishwashers WD-6, WD-7, and WD-8.
- Easy to mount on the side of the hood dishwasher.
- Robust stainless steel cabinet that can be mounted on either the right or left side of the dishwasher.
- Also suitable for storing of our WD-RO150 water purification unit and can also be mounted underneath the roller conveyor.
- Equipped with a reliable locking system.
- External dimensions excluding shelf bracket (WxHxD): 198x420x654mm
- Internal dimensions, reduction due to door included (WxHxD): 172x405x633mm
- Can be ordered with the dishwasher or via aftermarket.
- Art no: WD203.0666



Can be mounted on either the right or left side of the machine.



The cabinet can also be mounted beneath the basin line.

We reserve the right to make changes to the technical data.

WD-C 90 90° motor-powered turn track



Motor-powered turn track made entirely from stainless steel. Frame made from non-corrosive, 30x30 mm square tubing with adjustable feet. Suitable for all 50x50 cm washing baskets. The design means that the baskets are loaded using a plastic drive chain. Equipped with an emergency stop.

The turn track is connected to the machine's outfeed side, either directly to the machine or to a straight section placed between the machine and the track. The turn track can also be placed on the infeed side.

Electrical connection: 400V 3N~ 50Hz 0.12kW.

Part no.	Description	Dimensions
3-4556H	90° motor-powered turn track, right	780x780x890
3-4556V	90° motor-powered turn track, left	780x780x890

WD-C 180 180° motor-powered turn track



Motor-powered turn track made entirely from stainless steel. Frame made from non-corrosive, 30x30 mm square tubing with adjustable feet. Suitable for all 50x50 cm washing baskets. The design means that the baskets are loaded using a plastic drive chain. Equipped with an emergency stop.

The turn track is connected to the machine's outfeed side, either directly to the machine or to a straight section placed between the machine and the track. The turn track can also be placed on the infeed side.

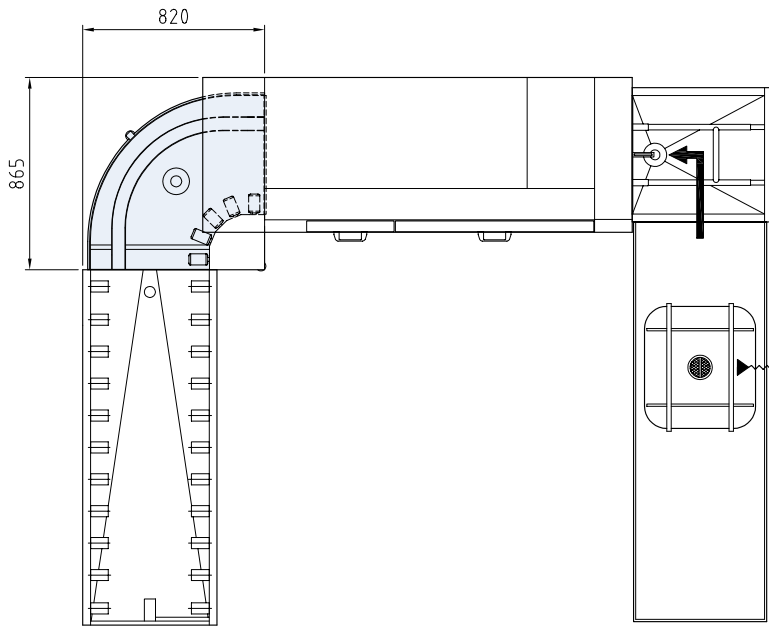
Electrical connection: 400V 3N~ 50Hz 0.12kW.

Part no.	Description	Dimensions
3-4557H	180° motor-powered turn track, right	780x1320x890
3-4557V	180° motor-powered turn track, left	780x1320x890

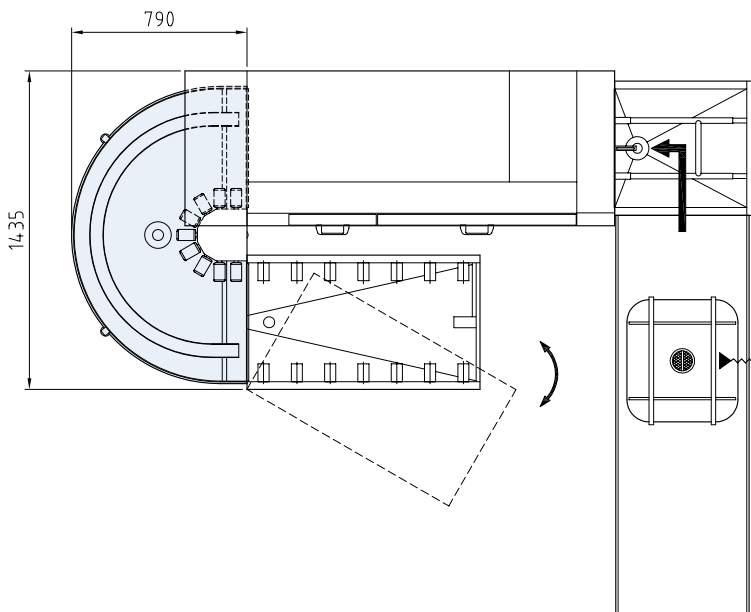
Suggested layout for dishwashing room

Dimensions in mm.

90° motor-powered turn track.



180° motor-powered turn track.





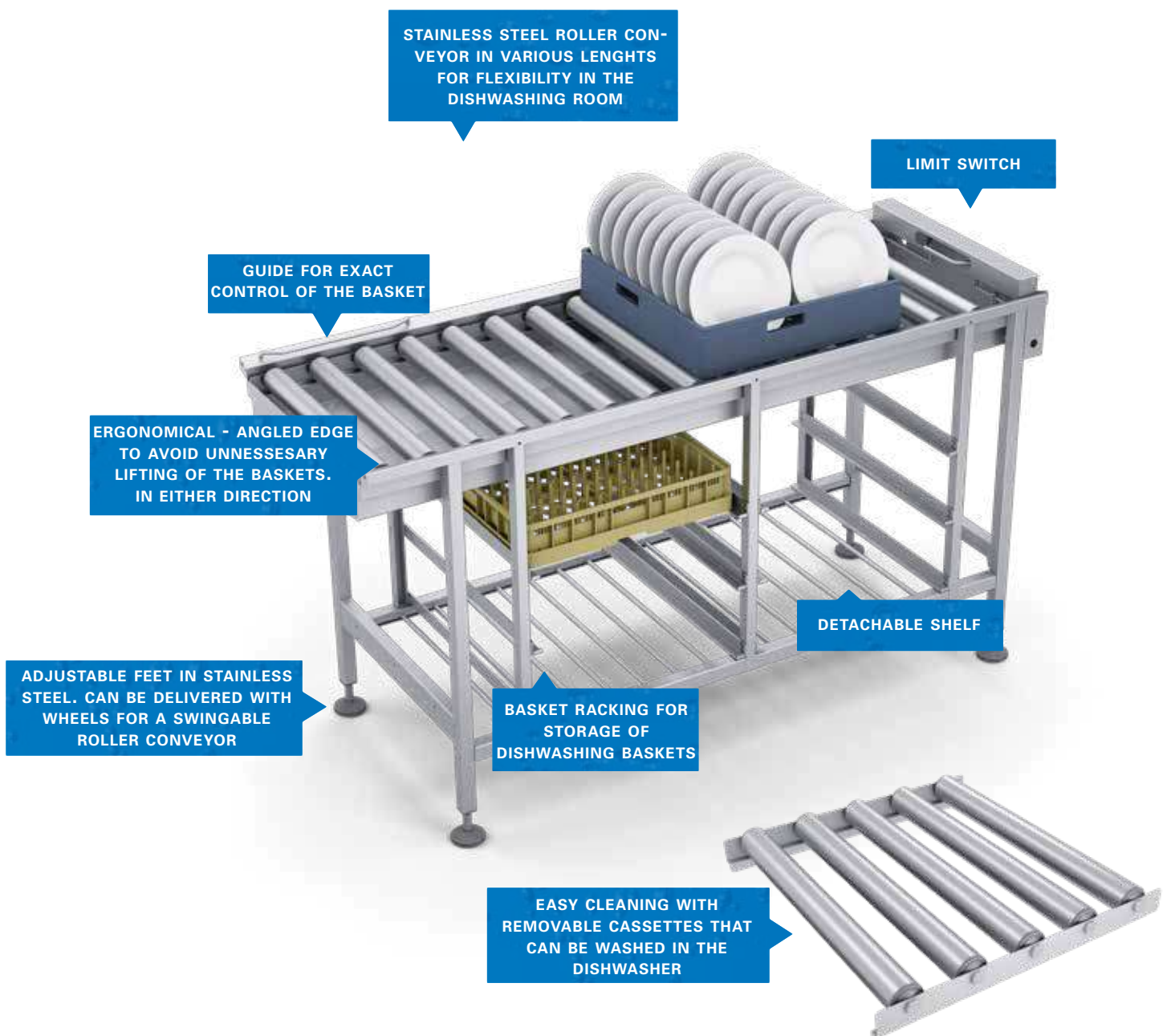
Pre-rinse sprayer with temperature regulator, for basin line

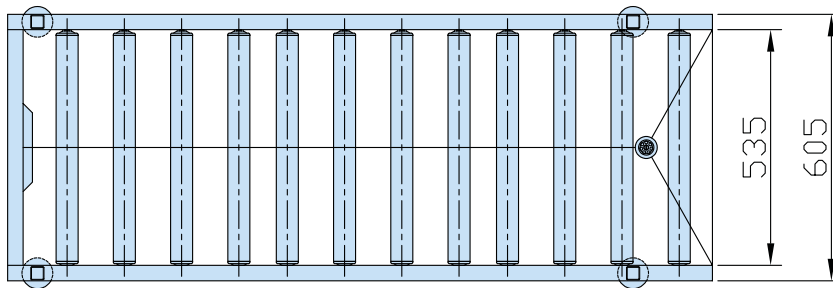
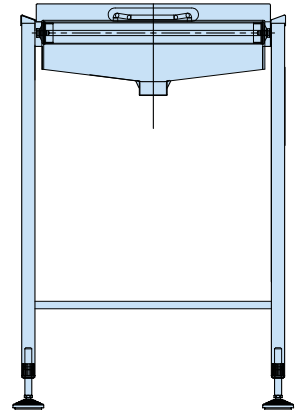
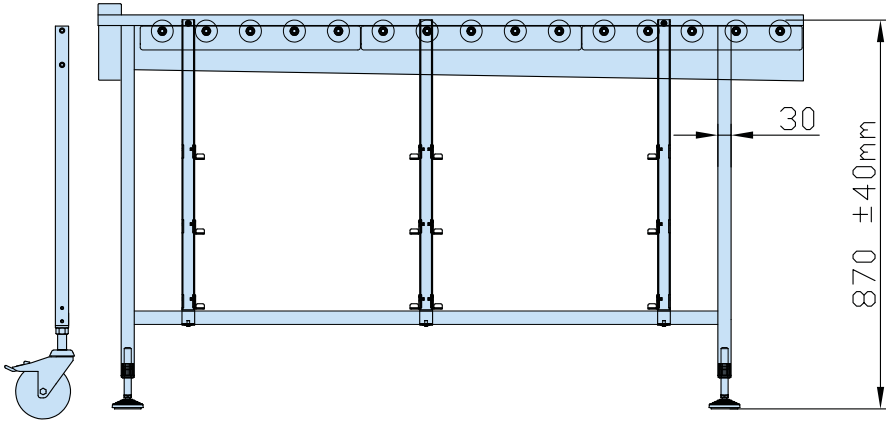
- ✓ Chrome plated brass
- ✓ Hand sprayer which turns off automatically
- ✓ Black high-pressure hose

Description

The pistol sprayer, which is manufactured from chrome-plated brass, consists of a thermostatically controlled temperature regulator, stand pipe with wall attachment unit and hook, black high-pressure hose with equalizer spring, and hand sprayer which turns off automatically.

A **Roller conveyor** to achieve an efficient flow in the washroom





Standard lengths

- 600 mm
- 1100 mm
- 1600 mm
- 2100 mm
- 2600 mm
- 3100 mm

Roller connection 100 - 700 mm,
for special lengths



Sideboard 560x560 mm

- ✔ Practical stainless steel shelf with plastic for a dishwashing basket 500 x 500
- ✔ Specifically designed to be mounted on hood dishwashers.
- ✔ Smooth surface for easy cleaning

Description

A smart storage surface that is mounted on the side of the dishwasher. The sideboard is specifically designed to fit the hood dishwashers WD-6, WD-7 and WD-8. Contributes to a clean and organized workplace.

The shelf has space for a dishwashing basket measuring 500 x 500 mm.

- Art nr: 203.0667 (WD-6/7)
- Art nr: 203.0687 (WD-8)



Cleaning scraper - simplifies the removal of food waste

- ✔ Durable tailored cleaning scraper
- ✔ Suitable for removal of leftover food

Description

Practical, efficient and durable cleaning scraper that is advantageously used when removing leftover food in canteens and pots. A perfect accessory for the kitchen that washes heavy dishes.

Art no: 209.7261



Sorting unit - a compact sorting unit for handling of washware.

- ✓ Efficient handling of the dishes
- ✓ Ergonomic
- ✓ Flexible

Description

A complete, compact sorting unit for efficient handling of washware.

- Soaking, scraping and stacking are ergonomically and easily performed.
- The sorting unit is made of stainless steel. The basin is built for soaking of wash ware up to GN 1/1.
- Stainless steel square pipes, 40x40 mm with adjustable feet.
- Splash plate and cutlery box for soaking cutlery
- Overflow protection and draining valve included as standard
- The sorting unit can be customised with shelves for baskets, a washing pistol with hose reel, an easily attached unloading table, scraper and/or a mobile waste trolley.

Sous vide basket

for pot washing of vacuum containers with lids

- This specially designed basket is crafted with precision to seamlessly fit vacuum containers, providing a sustainable alternative to disposable and plastic options.
- The Sous-vide basket is designed to accommodate 12 GN 1/2 vacuum containers along with 6 lids, in total 18 items at the same time.
- The stainless steel basket ensures optimal hygiene standards, easy maintenance and a reliable performance.



WD-90 DUO
Art.nr 209.7454

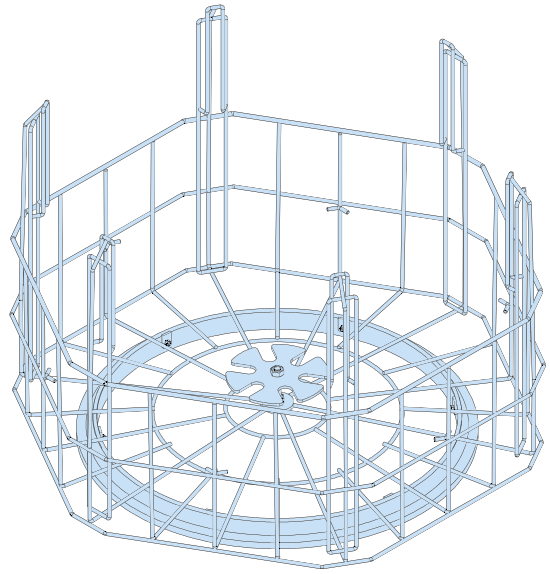
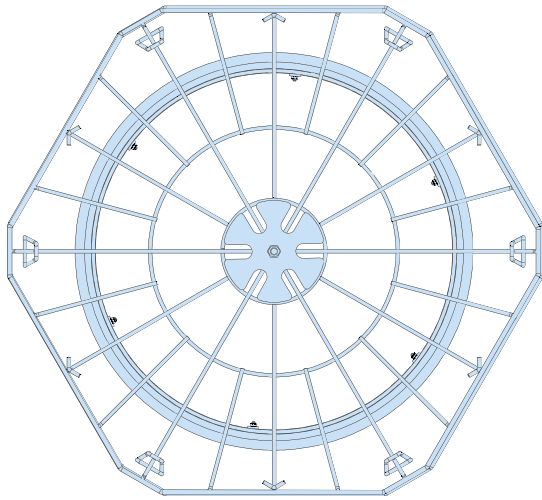
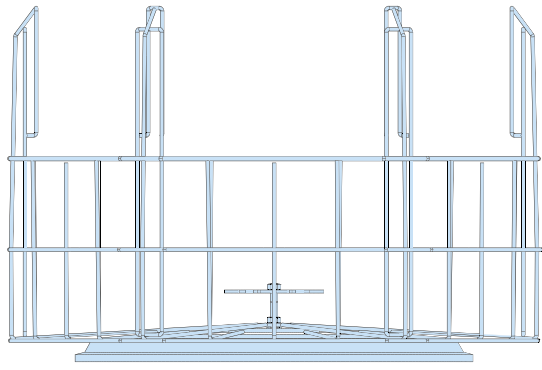
WD-90GR
Art.nr 209.7454

Specially designed basket for steel containers that replaces existing disposable and plastic containers. Possible to wash 12 pcs of GN 1/2 + 6 lids, in total 18 items.



The steel basket is designed in two levels which makes room for in total 18 items.







Drip tray for baskets to avoid water puddles

- ✔ Stainless steel drip tray for placing baskets in the wash area
- ✔ A convenient solution to avoid wet surfaces in the wash area.
- ✔ The drip tray is precisely designed to fit baskets measuring 500 x 500 mm.
- ✔ The drip tray features raised edges where the wash basket is placed after washing.

Description

Keep your kitchen clean and safe with our specially designed drip tray. The drip tray is designed to effectively prevent water from the washing basket from spilling over, protecting your kitchen surfaces and floors from moisture and water damage. The washing basket fits smoothly onto the drip tray, making it easy to keep your kitchen neat and dry.

The drip tray can easily be moved from one area to another.

Art nr WD4550064



Drip tray for WD-4S, roof mounted

- ✔ The drip tray is precisely tailored to fit the undercounter dishwasher WD-4S.
- ✔ The drip tray is made of stainless steel and has raised edges where the washing basket can be placed after washing.
- ✔ The drip tray prevents water from spilling over the side of the dishwasher.
- ✔ Its smooth surface makes it easy to wipe clean and maintain, contributing to a hygienic kitchen environment.

Description

Keep your kitchen clean and safe with our specially designed drip tray for the WD-4S under counter dishwasher. This high-quality drip tray is created to effectively prevent water from flowing over the edges, protecting your kitchen surfaces and floors from moisture and water damage.

Art. no: 201.0581

WD-BF90 Bar-fedded turn track 90°



The turn track is made from stainless steel and fitted with plastic stopper hooks made from non-fric. It is driven by the machine's feeder via a feeder bar. No additional motor is needed. The open construction of the turn track makes cleaning easy. The frame is made from non-corrosive square tubing and fitted with adjustable plastic feet.

Art no	Description	Size LxWxH
3-4546H	90° bar-fedded turn track, R-L	780x780x905
3-4546V	90° bar-fedded turn track, L-R	780x780x905

WD-BF180 Bar-fedded turn track 180°



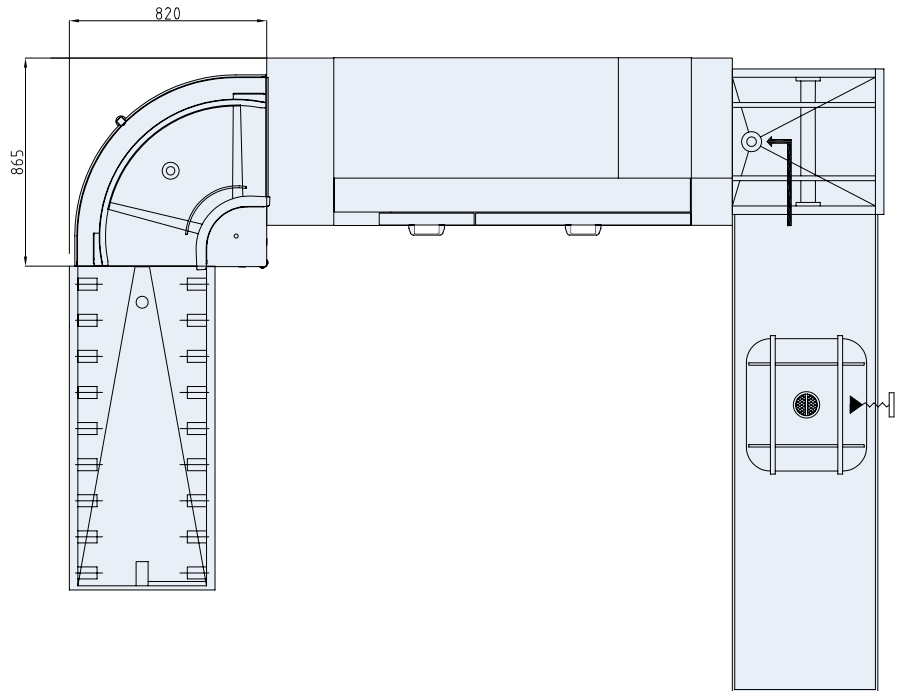
The turn track is made from stainless steel and fitted with plastic stopper hooks made from non-fric. It is driven by the machine's feeder via a feeder bar. No additional motor is needed. The open construction of the turn track makes cleaning easy. The frame is made from non-corrosive square tubing and fitted with adjustable plastic feet.

Art no	Description	Size LxWxH
3-4547H	180° bar-fedded turn track, R-L	780x1340x905
3-4547V	180° bar-fedded turn track, L-R	780x1340x905

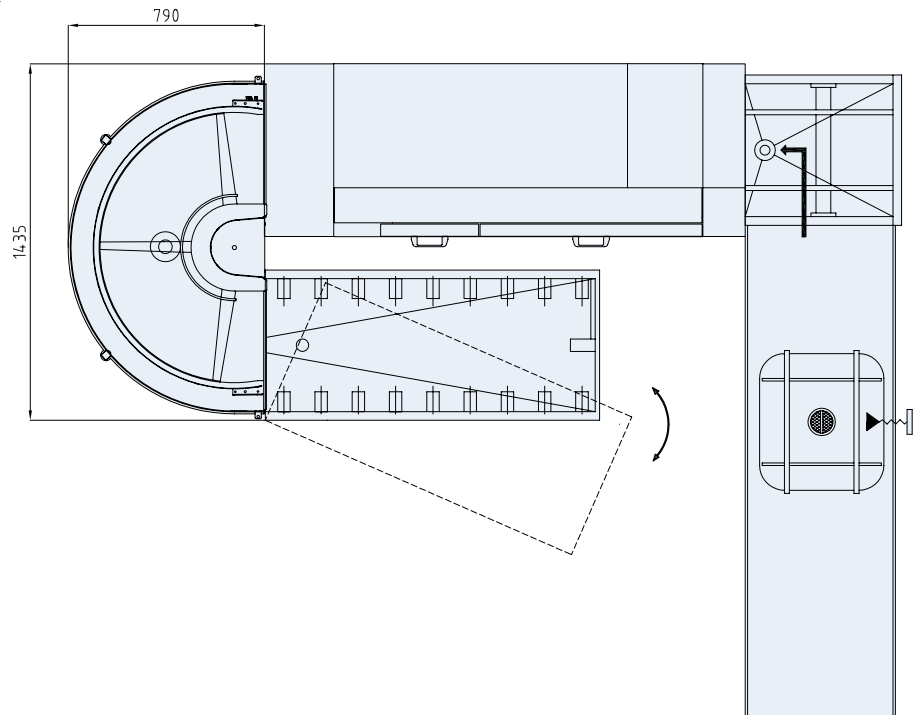
Layout washing room

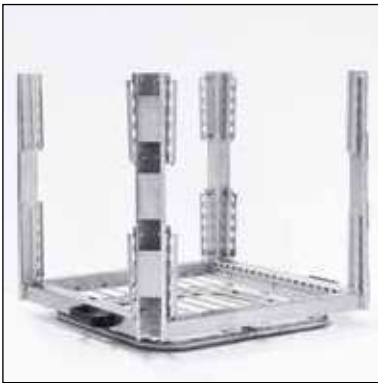
Size in mm (installation dimension)

90° bar-fedded turn track

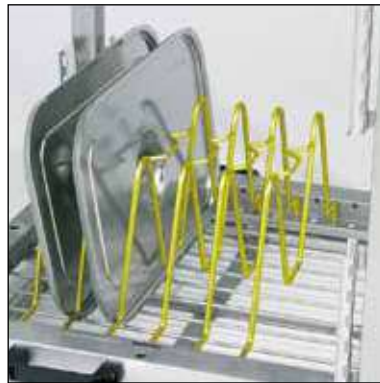


180° bar-fedded turn track





Washing cassette. Part. no. 209.7340
Included in the delivery.



Lid holder. Part. no. 209.7341
Included in the delivery.



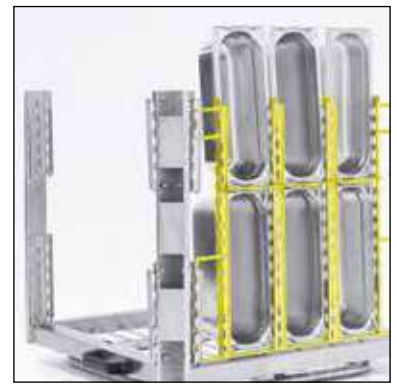
Side holder. Part. no. 209.7354
Included in the delivery.



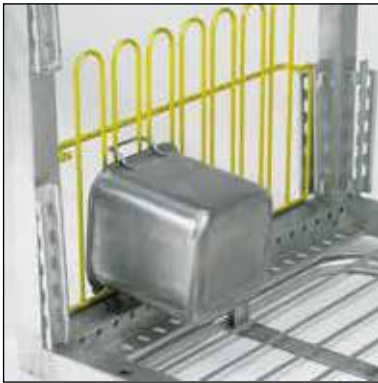
Utensil holder. Part. no. 209.7353
For utensils max 650 mm high.



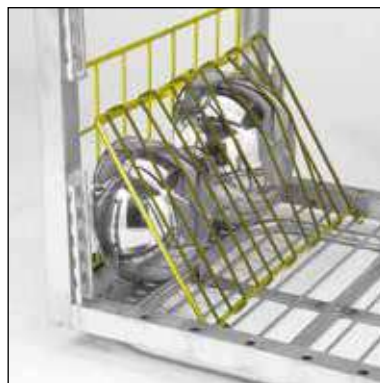
Wire basket
Part. no. 209.7357



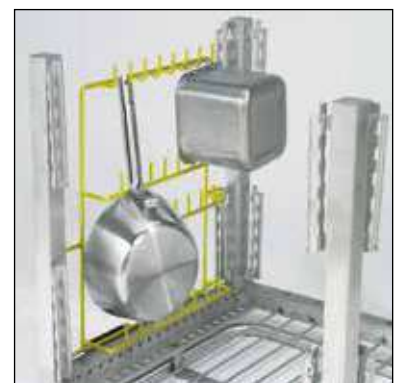
Holder for 1/3-, 1/6- and 1/9-containers
Part. no. 209.7366



ABC container holder.
Part. no. 209.7356



Flexible insert. Part. no. 209.7351
Used together with side holder.



Allround holder
Part. no. 209.7350

The above accessories are a selection of Wexiödisks range. Additional equipment for other kind of dishes can be requested.



ROUND POTWASH CASSETTE

Capacity 6+1 GN 1/1 65 mm.
The basket is adapted to accommodate canteens of various sizes.
Product no 209.7450



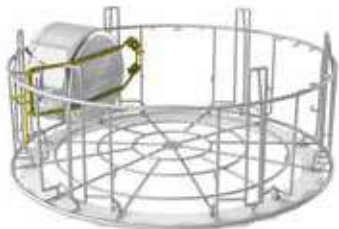
HOLDER

For 2/1 containers, grids and baking plates.
Product no 209.7484



FLEXIBLE INSERT

Product no 209.7481



RUBBER STRAP

Product no 209.7272



SUPPORT FOR POTS AND PANS

Product no 209.7252



SOUS VIDE BASKET

Specially designed basket for steel containers that replaces existing disposable and plastic containers. Possible to wash 9 pcs of GN 1/2 + 9 lids, in total 18 items.
Product no 209.7490

CUTLERY AND UTENSIL HOLDER

Product no 209.7251

Extra equipment for WD-90 DUO TOUCH



FOLDING TABLE RIGHT

Product no 209.7452 (right)



TROLLEY

Product no 209.7462



LOADING BENCH

Product no 209.7270



DOCKABLE LOADING TROLLEY 900 MM

Product no 209.7454

FOLDING TABLE LEFT

Product no 209.7453 (left)

FOLDING TABLE FRONT

Product no 209.7451 (front)



Square shaped cassette, part. no. 209.7276
Included in the delivery.



Side holder, part. no. 209.7354
3 pcs included in the delivery.



Lid holder, part. no. 209.7280
3 pcs included in the delivery.



Flexible insert, part. no. 209.7281
Used together with side holder.
Included in the delivery.



Utensil holder, part. no. 209.7277



Wire basket, part. no. 209.7278



Allround holder, part. no. 209.7273
For pots with handles and ABC-
containers.



Holder for 1/3, 1/6, 1/9 containers,
part. no. 209.7282



Sous vide basket, part. no. 209.7291

The above accessories are a selection of Wexiödisks range. Additional equipment for other kind of dishes can be requested.



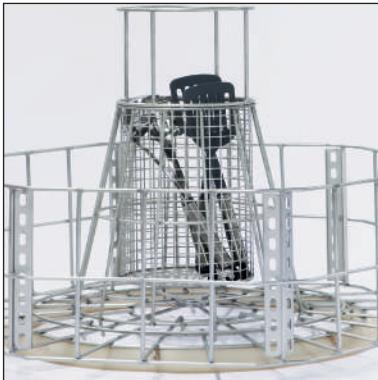
Hexagonal cassette, part. no. 209.7285
Included in the delivery.



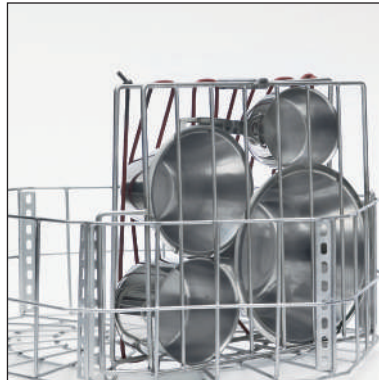
Pot holder, part.no. 209.7255
For large pots. Included in the delivery.



Grid, part. no. 209.7284
For 2/1 containers, grids, baking plates.
Included in the delivery.



Utensil holder, part. no. 209.7251
For hexagonal cassette and round
basket.



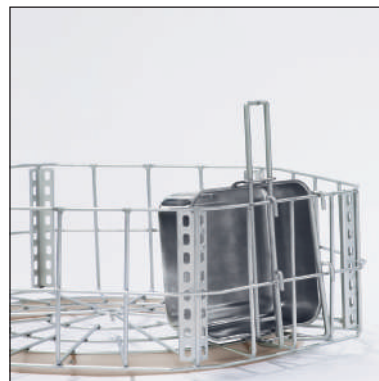
Flexible insert, part. no. 209.7283
Rubber rope holder for bowls and pots.



Pot holder for small pots, part. no.
209.7254



Pot holder, part. no 209.7268
For frying plates and pots.



ABC- and lid holder, part. no. 209.7253



Basket for ABC containers,
part. no. 209.7259

The above accessories are a selection of Wexiödisks range. Additional equipment for other kind of dishes can be requested.



Drying zones - efficient drying for a perfect result

- ✓ Low environmental impact
- ✓ Fast drying of dishes
- ✓ Various zones available

Description

Our dishwashers can be equipped with WD-T60, WD-T80, WD-T60F or WD-T90 drying zones.

A powerful fan blows warm air over the washed items. The drying zones are primarily for use with items such as plastic trays which do not accumulate large amounts of heat.

Part of the energy is used by a condensing battery which heats up the incoming cold water.

The WD-T60, WD-T80 and WD-T60F have a heat output of 3,3 kW, while the figure for the WD-T90 is 2x3,3 kW. The WD-T80 is intended for use with dishwashers which have a motor-powered turn track.



Foldable metal shelf (internal), HC for trays

- ✔ The grid shelf is suitable for the combi dishwasher WD12-S.
- ✔ Designed for direct stacking in the machine without a basket.
- ✔ Special solution for 27 smaller trays (fast food).

Description

As an optional feature for the WD-12S, there is a grid shelf where trays and other bulky dishware can be placed directly.

The grid shelf is equipped with support sections that can be folded up and down, allowing for the washing of various types of dishware.

Art. no. 206.5373



WD-4S

CABINET FLOOR STAND

FEATURES

- Cabinet floor stand is adapted for undercounter dishwasher WD-4S.
- Ergonomic - the dishwasher gets a good working height placed on the stand.
- Made of stainless steel.
- With lockable door or open sides.
- Easy storage of detergent or washing baskets.



SIZE AND WEIGHT FOR TRANSPORTATION

WD-4S CABINET FLOOR STAND

Size (LxWxH) (cm) incl. packaging

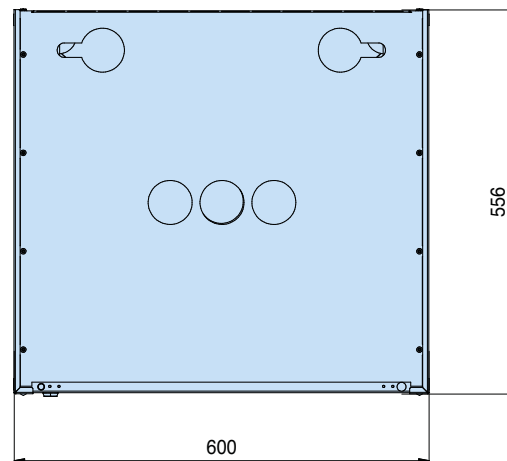
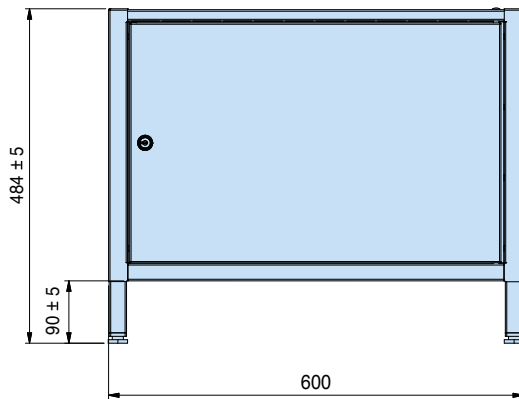
58x51x63

Weight (kg), including packaging

16

Weight (kg), including packaging (with lockable door)

22



По вопросам продаж и поддержки обращайтесь:

Алматы (727)345-47-04
Ангарск (3955)60-70-56
Архангельск (8182)63-90-72
Астрахань (8512)99-46-04
Барнаул (3852)73-04-60
Белгород (4722)40-23-64
Благовещенск (4162)22-76-07
Брянск (4832)59-03-52
Владивосток (423)249-28-31
Владикавказ (8672)28-90-48
Владимир (4922)49-43-18
Волгоград (844)278-03-48
Вологда (8172)26-41-59
Воронеж (473)204-51-73
Екатеринбург (343)384-55-89

Иваново (4932)77-34-06
Ижевск (3412)26-03-58
Иркутск (395)279-98-46
Казань (843)206-01-48
Калининград (4012)72-03-81
Калуга (4842)92-23-67
Кемерово (3842)65-04-62
Киров (8332)68-02-04
Коломна (4966)23-41-49
Кострома (4942)77-07-48
Краснодар (861)203-40-90
Красноярск (391)204-63-61
Курск (4712)77-13-04
Курган (3522)50-90-47
Липецк (4742)52-20-81

Магнитогорск (3519)55-03-13
Москва (495)268-04-70
Мурманск (8152)59-64-93
Набережные Челны (8552)20-53-41
Нижний Новгород (831)429-08-12
Новокузнецк (3843)20-46-81
Ноябрьск (3496)41-32-12
Новосибирск (383)227-86-73
Омск (3812)21-46-40
Орел (4862)44-53-42
Оренбург (3532)37-68-04
Пенза (8412)22-31-16
Петрозаводск (8142)55-98-37
Псков (8112)59-10-37
Пермь (342)205-81-47

Ростов-на-Дону (863)308-18-15
Рязань (4912)46-61-64
Самара (846)206-03-16
Санкт-Петербург (812)309-46-40
Саратов (845)249-38-78
Севастополь (8692)22-31-93
Саранск (8342)22-96-24
Симферополь (3652)67-13-56
Смоленск (4812)29-41-54
Сочи (862)225-72-31
Ставрополь (8652)20-65-13
Сургут (3462)77-98-35
Сыктывкар (8212)25-95-17
Тамбов (4752)50-40-97
Тверь (4822)63-31-35

Тольятти (8482)63-91-07
Томск (3822)98-41-53
Тула (4872)33-79-87
Тюмень (3452)66-21-18
Ульяновск (8422)24-23-59
Улан-Удэ (3012)59-97-51
Уфа (347)229-48-12
Хабаровск (4212)92-98-04
Чебоксары (8352)28-53-07
Челябинск (351)202-03-61
Череповец (8202)49-02-64
Чита (3022)38-34-83
Якутск (4112)23-90-97
Ярославль (4852)69-52-93

Россия +7(495)268-04-70

Казахстан +7(727)345-47-04

Беларусь +(375)257-127-884

Узбекистан +998(71)205-18-59

Киргизия +996(312)96-26-47

эл.почта: wkd@nt-rt.ru || сайт: <https://wexiodisk.nt-rt.ru/>