

Посудомоечная машина для тележек WD-18CW

Технические характеристики

По вопросам продаж и поддержки обращайтесь:

Алматы (727)345-47-04
Ангарск (3955)60-70-56
Архангельск (8182)63-90-72
Астрахань (8512)99-46-04
Барнаул (3852)73-04-60
Белгород (4722)40-23-64
Благовещенск (4162)22-76-07
Брянск (4832)59-03-52
Владивосток (423)249-28-31
Владикавказ (8672)28-90-48
Владимир (4922)49-43-18
Волгоград (844)278-03-48
Вологда (8172)26-41-59
Воронеж (473)204-51-73
Екатеринбург (343)384-55-89

Иваново (4932)77-34-06
Ижевск (3412)26-03-58
Иркутск (395)279-98-46
Казань (843)206-01-48
Калининград (4012)72-03-81
Калуга (4842)92-23-67
Кемерово (3842)65-04-62
Киров (8332)68-02-04
Коломна (4966)23-41-49
Кострома (4942)77-07-48
Краснодар (861)203-40-90
Красноярск (391)204-63-61
Курск (4712)77-13-04
Курган (3522)50-90-47
Липецк (4742)52-20-81

Магнитогорск (3519)55-03-13
Москва (495)268-04-70
Мурманск (8152)59-64-93
Набережные Челны (8552)20-53-41
Нижний Новгород (831)429-08-12
Новокузнецк (3843)20-46-81
Ноябрьск (3496)41-32-12
Новосибирск (383)227-86-73
Омск (3812)21-46-40
Орел (4862)44-53-42
Оренбург (3532)37-68-04
Пенза (8412)22-31-16
Петрозаводск (8142)55-98-37
Псков (8112)59-10-37
Пермь (342)205-81-47

Ростов-на-Дону (863)308-18-15
Рязань (4912)46-61-64
Самара (846)206-03-16
Санкт-Петербург (812)309-46-40
Саратов (845)249-38-78
Севастополь (8692)22-31-93
Саранск (8342)22-96-24
Симферополь (3652)67-13-56
Смоленск (4812)29-41-54
Сочи (862)225-72-31
Ставрополь (8652)20-65-13
Сургут (3462)77-98-35
Сыктывкар (8212)25-95-17
Тамбов (4752)50-40-97
Тверь (4822)63-31-35

Тольятти (8482)63-91-07
Томск (3822)98-41-53
Тула (4872)33-79-87
Тюмень (3452)66-21-18
Ульяновск (8422)24-23-59
Улан-Удэ (3012)59-97-51
Уфа (347)229-48-12
Хабаровск (4212)92-98-04
Чебоксары (8352)28-53-07
Челябинск (351)202-03-61
Череповец (8202)49-02-64
Чита (3022)38-34-83
Якутск (4112)23-90-97
Ярославль (4852)69-52-93

Россия +7(495)268-04-70

Казахстан +7(727)345-47-04

Беларусь +(375)257-127-884

Узбекистан +998(71)205-18-59

Киргизия +996(312)96-26-47

эл.почта: wkd@nt-rt.ru || сайт: <https://wexiodisk.nt-rt.ru/>

WD-18 CW TROLLEY WASHER

FEATURES

- The flexible trolley washer for hospitals, flight catering and larger institutions
- Robust and reliable design in stainless steel with components that guarantee a durable and reliable operation for many years
- High capacity 30 – 40 washing cycles/hour
- Easy handling - One person can easily operate the machine
- Improved working conditions - Low noise level and better ergonomics
- Flexible - Washes numerous different trolleys and items
- Low operating cost - Minimal energy and water consumption. Only 6 litres of water per cycle and drying without heat
- Condensing unit with heat recovery by the exhausted steam



- Excellent washing and drying results - Unique washing process with centrifugation
- Customised dishwasher design
- With electronic monitoring and diagnostics
- Individual adjustable wash- and rinse times as well as temperatures for each programme

OPTIONS

- Single-door or through-fed model
- Floor mounted or pit mounted model
- Steam heated design 80 -250 kPa
- Extra control panel at the other door, double command (only for two roller door model).
- Web Tool with HACCP function
- Web Tool with HACCP function and Cost and consumption
- Shipped dismantled

TECHNICAL DATA	WD-18CW
Wash pump (kW)	2.2
Return pump (kW)	1.2
Motor turn table (kW)	0.55
Condensing fan (kW)	1.1
Drive motor roller doors (kW)	2x0.18
Booster heater (kW)	12
Heater tank (kW)	36
Heat recovery unit, cooling area (m ²)	51
Fan heat recovery, capacity (m ³ /hour)	1400
Tank volume (litres)	200
Weight, machine in operation (kg)	1450
Degree of protection (IP)	55

CAPACITY AND OPERATING DATA	WD-18CW
Total time/wash program 1 (min)*	1.2
Total time/wash program 2 (min)*	1.6
Total time/wash program 3 (min)*	2.0
Total time/wash program 4 without spin dry (min)*	1.0
Total time/wash program 5 without spin dry (min)*	1.4
Total time/wash program 6 without spin dry (min)*	1.8
Capacity, max (washing cycles/hour)**	40

Package size with standard interior (mm)	H=1820 W=940 L=1040
Max weight dish ware with standard interior (kg)	250
Water consumption rinse/program (litres)	6
Compressed air consumption (litres/min)	50
Energy consumption (% of connected power)***	70-90
Steam consumption (kg/h)***	90
Environmental temperature at 20°C room temperature (°C)	35
Sound level (dB (A))****	65

* Factory setting. The wash time is adjustable.

** Number of trolleys per washing cycle varies depending of the size of the goods.

*** Steam heated machine.

**** Measured 1 metre from the machine.

CONNECTION, ELECTRICALLY HEATED MACHINE	WD-18CW
Total connected power (kW)	52.5
Main fuse 400V 3N~ (A)*	80
Max.conn.area 400V 3N~ (L1-L3,N,PE) Cu (mm ²)	70

CONNECTION, STEAM HEATED MACHINE 150-250 KPA**	WD-18CW
Total conn. power (kW)	4.5
Main fuse 400V 3N~(A)*	20
Max.conn.area 400V 3N~(L1-L3, N, PE) Cu (mm ²)	35
Steam connection (internal thread)	R1 1/4
Connection condense water (internal thread)	R3/4

* Other pressure on request.

** Other voltage on request.

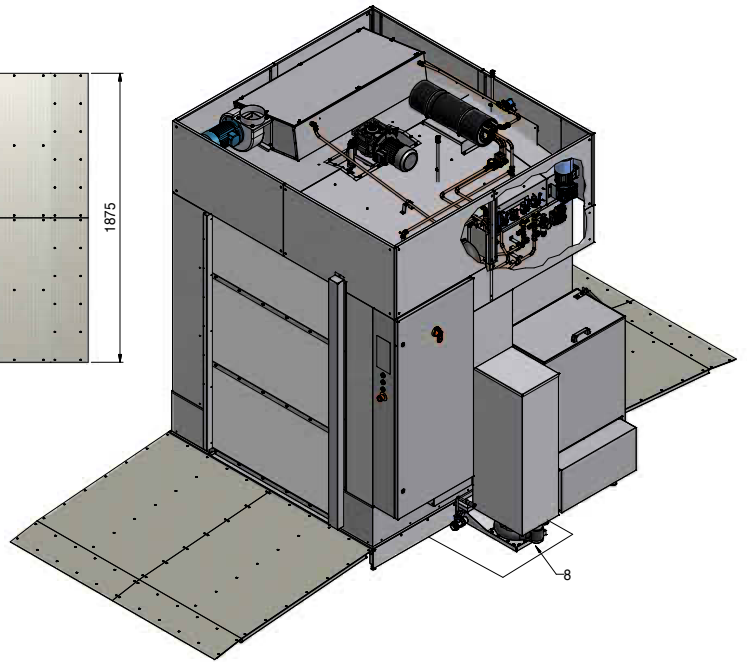
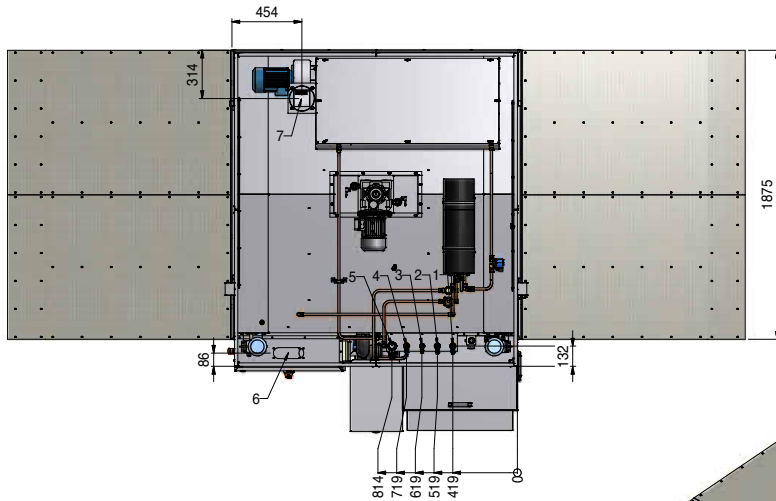
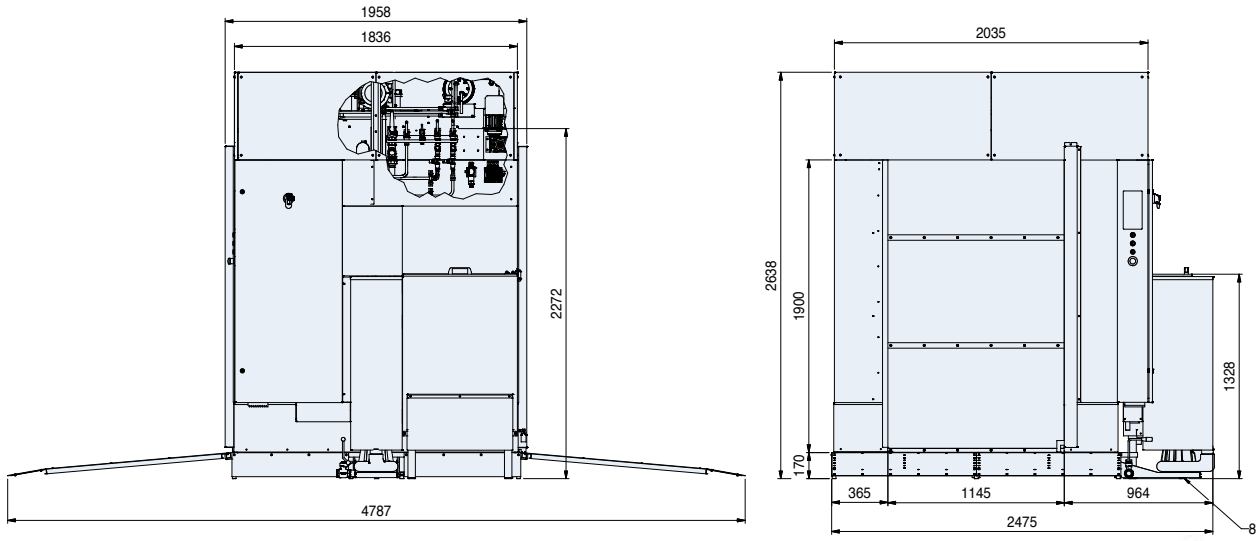
CONNECTION WATER, DRAIN AND VENTILATION	WD-18CW
Water quality, hardness (°dH)	2 - 7
Hot water conn. 50-65°C (internal thread)	R3/4
Cold water conn. 5-12°C (internal thread)	R3/4
Compressed air 600kPa (internal thread)	R 1/2
Drain connection, PP pipe (ø mm)	50
Water capacity cold water, pressure (kPa)	300
Water capacity cold water, flow (litres/min)	30
Water capacity hot water min/max pressure (kPa)	100/600
Floor drain (litres/sec)	3
Heat load to the room (total, sensible, latent) (kW)	11 / 6.5 / 4.5

SIZE AND WEIGHT FOR TRANSPORTATION**	WD-18CW
Size complete machine* LxWxH (m)	2.6x2.0x2.75
Weight complete machine* (kg)	1350
Package size part 1* LxWxH (m)**	2.6x2.0x2.25
Package size part 2* LxWxH (m) **	1.9x2.05x0.8
Weight part 1* (kg)**	850
Weight part 2* (kg)**	580

* Packaging included.

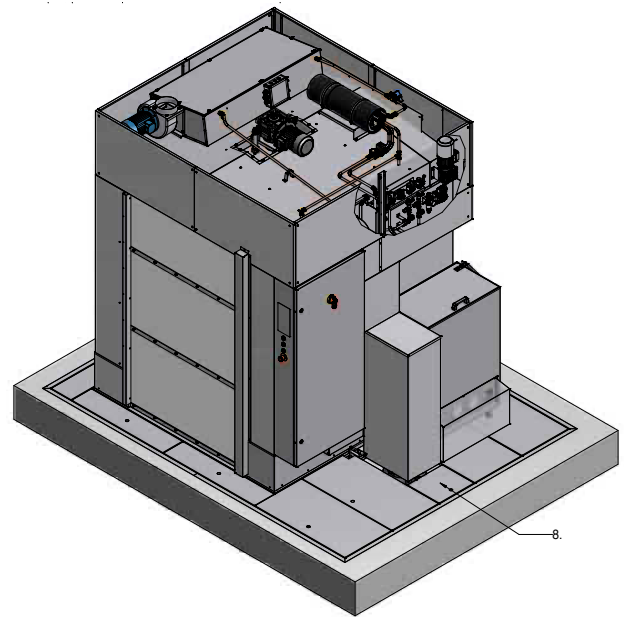
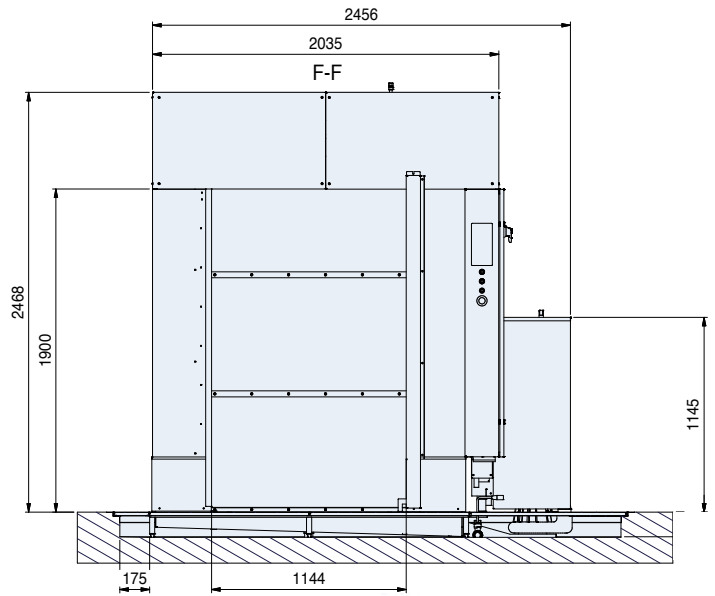
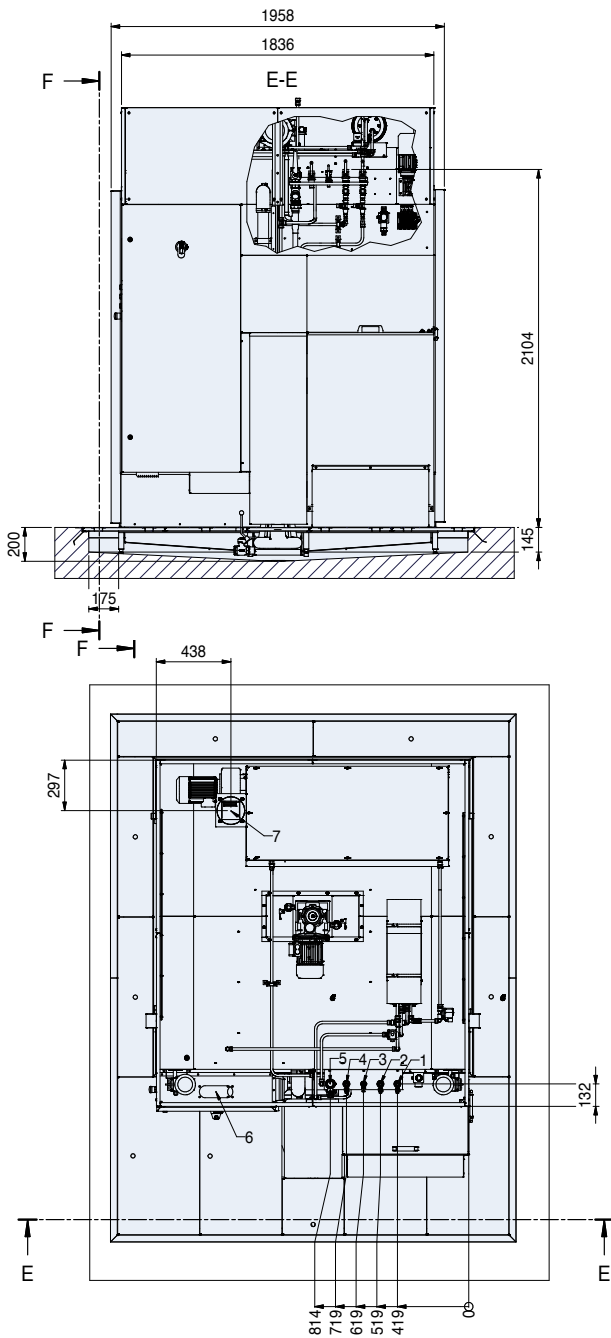
** Delivery in 2 pieces. If necessary the machine can be further dismantled.

Dimensional drawings - floor mounted



1. Hot water DN20, 30 l/min, 300 kPa
2. Cold water DN20, 30 l/min, 300 kPa
3. Compressed air DN15, 600 kPa, 50 l/min
4. Condensate DN20
5. Steam DN32, 150-250 kPa, 90 kg/h
6. Electrical connection 52,5 kW (el.heating)
4,5 kW (steam heating)
7. Ventilation connection Ø160 mm,
1400 m³/h (60sec./program)
8. Floor drain (200 l/min)

Dimensional drawings - pit mounted model



1. Hot water DN20, 30 l/min, 300 kPa
2. Cold water DN20, 30 l/min, 300 kPa
3. Compressed air DN15, 600 kPa, 50 l/min
4. Condensate DN20
5. Steam DN32, 150-250 kPa, 90 kg/h
6. Electrical connection 52,5 kW (el.heating)
4,5 kW (steam heating)
7. Ventilation connection Ø160mm, 1400 m³/h
(60sec./program)
8. Floor drain (200 l/min)

When installed pit mounted, a mounting frame and cover plates are included in the delivery. The recess in the floor must be 200 mm deep.

We reserve the right to change technical data.

По вопросам продаж и поддержки обращайтесь:

Алматы (727)345-47-04
Ангарск (3955)60-70-56
Архангельск (8182)63-90-72
Астрахань (8512)99-46-04
Барнаул (3852)73-04-60
Белгород (4722)40-23-64
Благовещенск (4162)22-76-07
Брянск (4832)59-03-52
Владивосток (423)249-28-31
Владикавказ (8672)28-90-48
Владимир (4922)49-43-18
Волгоград (844)278-03-48
Вологда (8172)26-41-59
Воронеж (473)204-51-73
Екатеринбург (343)384-55-89

Иваново (4932)77-34-06
Ижевск (3412)26-03-58
Иркутск (395)279-98-46
Казань (843)206-01-48
Калининград (4012)72-03-81
Калуга (4842)92-23-67
Кемерово (3842)65-04-62
Киров (8332)68-02-04
Коломна (4966)23-41-49
Кострома (4942)77-07-48
Краснодар (861)203-40-90
Красноярск (391)204-63-61
Курск (4712)77-13-04
Курган (3522)50-90-47
Липецк (4742)52-20-81

Магнитогорск (3519)55-03-13
Москва (495)268-04-70
Мурманск (8152)59-64-93
Набережные Челны (8552)20-53-41
Нижний Новгород (831)429-08-12
Новокузнецк (3843)20-46-81
Ноябрьск (3496)41-32-12
Новосибирск (383)227-86-73
Омск (3812)21-46-40
Орел (4862)44-53-42
Оренбург (3532)37-68-04
Пенза (8412)22-31-16
Петрозаводск (8142)55-98-37
Псков (8112)59-10-37
Пермь (342)205-81-47

Ростов-на-Дону (863)308-18-15
Рязань (4912)46-61-64
Самара (846)206-03-16
Санкт-Петербург (812)309-46-40
Саратов (845)249-38-78
Севастополь (8692)22-31-93
Саранск (8342)22-96-24
Симферополь (3652)67-13-56
Смоленск (4812)29-41-54
Сочи (862)225-72-31
Ставрополь (8652)20-65-13
Сургут (3462)77-98-35
Сыктывкар (8212)25-95-17
Тамбов (4752)50-40-97
Тверь (4822)63-31-35

Тольятти (8482)63-91-07
Томск (3822)98-41-53
Тула (4872)33-79-87
Тюмень (3452)66-21-18
Ульяновск (8422)24-23-59
Улан-Удэ (3012)59-97-51
Уфа (347)229-48-12
Хабаровск (4212)92-98-04
Чебоксары (8352)28-53-07
Челябинск (351)202-03-61
Череповец (8202)49-02-64
Чита (3022)38-34-83
Якутск (4112)23-90-97
Ярославль (4852)69-52-93

Россия +7(495)268-04-70

Казахстан +7(727)345-47-04

Беларусь +(375)257-127-884

Узбекистан +998(71)205-18-59

Киргизия +996(312)96-26-47

эл.почта: wkd@nt-rt.ru || сайт: <https://wexiodisk.nt-rt.ru/>