

Сортировщики столовых приборов ACS

Технические характеристики

По вопросам продаж и поддержки обращайтесь:

Алматы (727)345-47-04
Ангарск (3955)60-70-56
Архангельск (8182)63-90-72
Астрахань (8512)99-46-04
Барнаул (3852)73-04-60
Белгород (4722)40-23-64
Благовещенск (4162)22-76-07
Брянск (4832)59-03-52
Владивосток (423)249-28-31
Владикавказ (8672)28-90-48
Владимир (4922)49-43-18
Волгоград (844)278-03-48
Вологда (8172)26-41-59
Воронеж (473)204-51-73
Екатеринбург (343)384-55-89

Иваново (4932)77-34-06
Ижевск (3412)26-03-58
Иркутск (395)279-98-46
Казань (843)206-01-48
Калининград (4012)72-03-81
Калуга (4842)92-23-67
Кемерово (3842)65-04-62
Киров (8332)68-02-04
Коломна (4966)23-41-49
Кострома (4942)77-07-48
Краснодар (861)203-40-90
Красноярск (391)204-63-61
Курск (4712)77-13-04
Курган (3522)50-90-47
Липецк (4742)52-20-81

Магнитогорск (3519)55-03-13
Москва (495)268-04-70
Мурманск (8152)59-64-93
Набережные Челны (8552)20-53-41
Нижний Новгород (831)429-08-12
Новокузнецк (3843)20-46-81
Ноябрьск (3496)41-32-12
Новосибирск (383)227-86-73
Омск (3812)21-46-40
Орел (4862)44-53-42
Оренбург (3532)37-68-04
Пенза (8412)22-31-16
Петрозаводск (8142)55-98-37
Псков (8112)59-10-37
Пермь (342)205-81-47

Ростов-на-Дону (863)308-18-15
Рязань (4912)46-61-64
Самара (846)206-03-16
Санкт-Петербург (812)309-46-40
Саратов (845)249-38-78
Севастополь (8692)22-31-93
Саранск (8342)22-96-24
Симферополь (3652)67-13-56
Смоленск (4812)29-41-54
Сочи (862)225-72-31
Ставрополь (8652)20-65-13
Сургут (3462)77-98-35
Сыктывкар (8212)25-95-17
Тамбов (4752)50-40-97
Тверь (4822)63-31-35

Тольятти (8482)63-91-07
Томск (3822)98-41-53
Тула (4872)33-79-87
Тюмень (3452)66-21-18
Ульяновск (8422)24-23-59
Улан-Удэ (3012)59-97-51
Уфа (347)229-48-12
Хабаровск (4212)92-98-04
Чебоксары (8352)28-53-07
Челябинск (351)202-03-61
Череповец (8202)49-02-64
Чита (3022)38-34-83
Якутск (4112)23-90-97
Ярославль (4852)69-52-93

Россия +7(495)268-04-70

Казахстан +7(727)345-47-04

Беларусь +(375)257-127-884

Узбекистан +998(71)205-18-59

Киргизия +996(312)96-26-47

эл.почта: wkd@nt-rt.ru || сайт: <https://wexiodisk.nt-rt.ru/>



ACS800

CUTLERY SORTER

- The new generation cutlery sorter for large kitchen environments such as flight kitchens, hospitals and other larger institutions.
- Sorts up to eight different cutlery items (teaspoon, spoon, fork, knife).
- Up to 30 different cutlery sets can be pre-programmed.
- Smart handling of cutlery saves hours of work in the dish room.
- User-friendly – simple to operate and read off operating status.
- Cost-saving – no more manual cutlery sorting.
- Efficient – the cutlery only needs to be washed once.
- Eliminates the labour-intensive, monotonous manual sorting of cutlery items.
- Hygienic – no fingers come into contact with the cutlery.



- Easy servicing – easy and hassle-free to replace spare parts.
- Space-saving, only 5 m² floor area needed.

TECHNICAL DATA	ACS800
Weight, machine in operation (kg)	380
Enclosure class (IP)	45

CAPACITY AND OPERATING DATA	ACS800
Max number of cutlery items (st) **	8
Capacity (item/h)	2500-3600
Cutlery, length (mm)	100-215
Cutlery, with (mm)	5-46
Cutlery, height (mm)	1-30
Sound pressure level, idle, LPA (dBA) *	62 - 67
Sound pressure level, operation, LPA (dBA) *	65 - 78

* Measured 1 metre from the side of the machine.

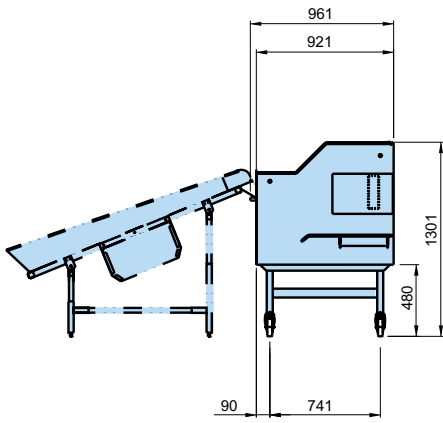
** Maximum number per programme.

CONNECTION, MACHINE	ACS800
Total connected power (kW)	0,3
Main fuse 230V/1N/50-60Hz * (A)	10

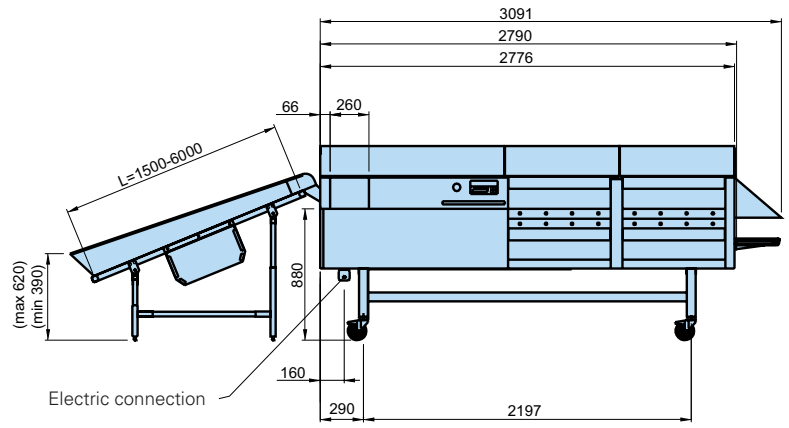
* Supplied with 3 metre-long cable.

SIZE AND WEIGHT FOR TRANSPORT	ACS800
Size * (LxWxH (mm))	3100x1000x1300
Size * (WxHxL (L=1500-600) (mm)) (Buffer conveyor)	1200x600xL (1500-6000)
Weight * (kg)	500
Weight * (kg) (Buffer conveyor)	45-80

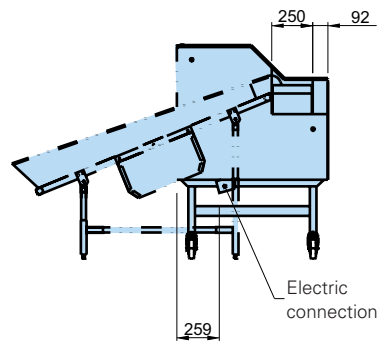
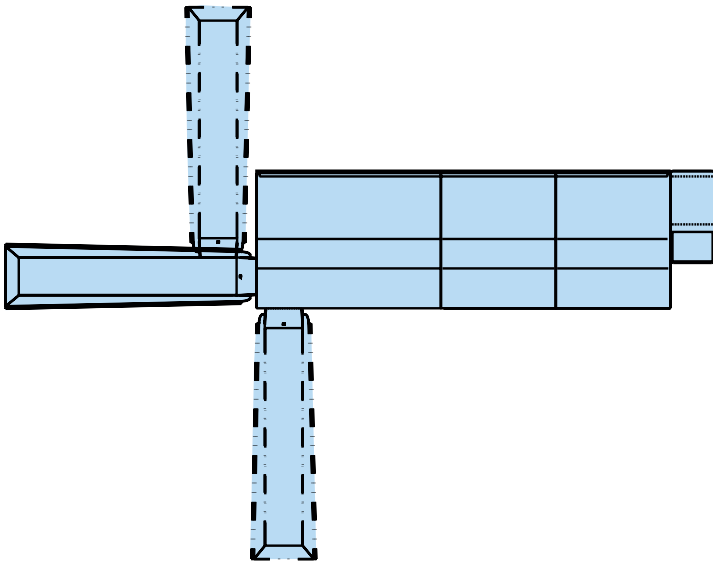
* Including packaging.



Buffer conveyor, front connection



Buffer conveyor, side connection



Buffer conveyor, rear connection 90°

ACS400HC

CUTLERY SORTER

- The new generation cutlery sorter for large kitchen environments such as flight kitchens, hospitals and other larger institutions.
- Sorts up to four different cutlery items (teaspoon, spoon, fork, knife).
- Up to 30 different cutlery sets can be pre-programmed.
- Smart handling of cutlery saves hours of work in the dish room.
- User-friendly – simple to operate and read off operating status.
- Cost-saving – no more manual cutlery sorting.
- Efficient – the cutlery only needs to be washed once.
- Eliminates the labour-intensive, monotonous manual sorting of cutlery items.
- Hygienic – no fingers come into contact with the cutlery.



- Easy servicing – easy and hassle-free to replace spare parts.
- Space-saving, only 5 m² floor area needed.

TECHNICAL DATA	ACS400HC
Weight, machine in operation (kg)	275
Enclosure class (IP)	45

CAPACITY AND OPERATING DATA	ACS400HC
Max number of cutlery items (st) **	4
Capacity (item/h)	3000-5000
Cutlery, length (mm)	100-215
Cutlery, with (mm)	5-46
Cutlery, height (mm)	1-30
Sound pressure level, idle, LPA (dBA) *	62 - 67
Sound pressure level, operation, LPA (dBA) *	65 - 95

* Measured 1 metre from the side of the machine.

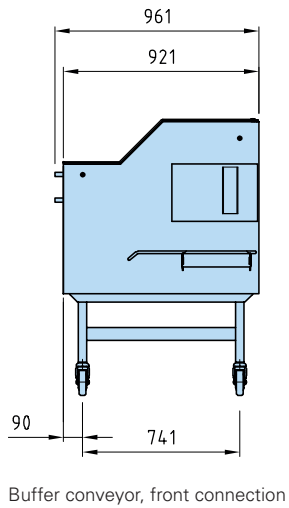
** Maximum number per programme.

CONNECTION, MACHINE	ACS400HC
Total connected power (kW)	0,3
Main fuse 230V/1N/50-60Hz * (A)	10

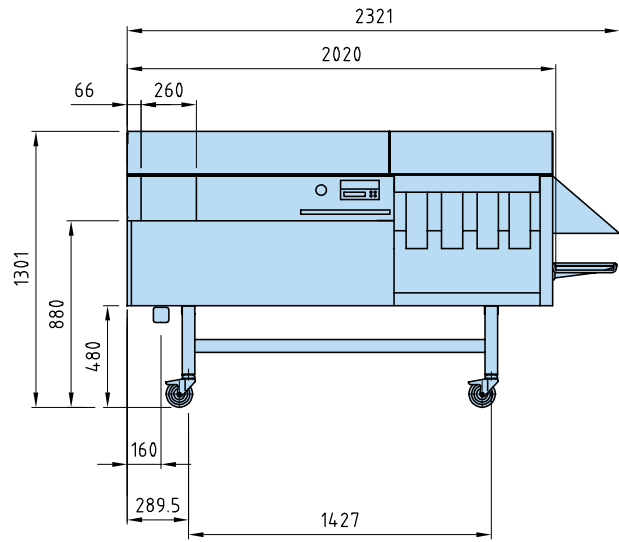
* Supplied with 3 metre-long cable.

SIZE AND WEIGHT FOR TRANSPORT	ACS400HC
Size * (LxWxH (mm))	2350x1000x1300
Size * (WxHxL (L=1500-600) (mm)) (Buffer conveyor)	1200x600xL (1500-6000)
Weight * (kg)	500
Weight * (kg) (Buffer conveyor)	45-80

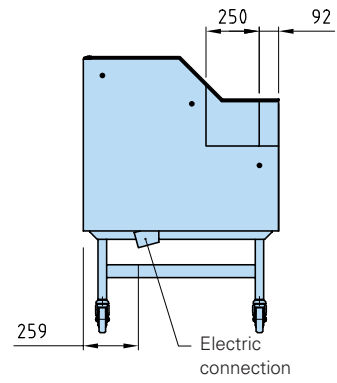
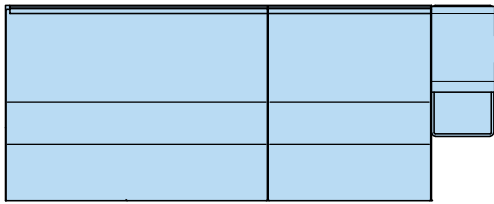
* Including packaging.



Buffer conveyor, front connection



Buffer conveyor, side connection



Buffer conveyor, rear connection 90°

По вопросам продаж и поддержки обращайтесь:

Алматы (727)345-47-04
Ангарск (3955)60-70-56
Архангельск (8182)63-90-72
Астрахань (8512)99-46-04
Барнаул (3852)73-04-60
Белгород (4722)40-23-64
Благовещенск (4162)22-76-07
Брянск (4832)59-03-52
Владивосток (423)249-28-31
Владикавказ (8672)28-90-48
Владимир (4922)49-43-18
Волгоград (844)278-03-48
Вологда (8172)26-41-59
Воронеж (473)204-51-73
Екатеринбург (343)384-55-89

Иваново (4932)77-34-06
Ижевск (3412)26-03-58
Иркутск (395)279-98-46
Казань (843)206-01-48
Калининград (4012)72-03-81
Калуга (4842)92-23-67
Кемерово (3842)65-04-62
Киров (8332)68-02-04
Коломна (4966)23-41-49
Кострома (4942)77-07-48
Краснодар (861)203-40-90
Красноярск (391)204-63-61
Курск (4712)77-13-04
Курган (3522)50-90-47
Липецк (4742)52-20-81

Магнитогорск (3519)55-03-13
Москва (495)268-04-70
Мурманск (8152)59-64-93
Набережные Челны (8552)20-53-41
Нижний Новгород (831)429-08-12
Новокузнецк (3843)20-46-81
Ноябрьск (3496)41-32-12
Новосибирск (383)227-86-73
Омск (3812)21-46-40
Орел (4862)44-53-42
Оренбург (3532)37-68-04
Пенза (8412)22-31-16
Петрозаводск (8142)55-98-37
Псков (8112)59-10-37
Пермь (342)205-81-47

Ростов-на-Дону (863)308-18-15
Рязань (4912)46-61-64
Самара (846)206-03-16
Санкт-Петербург (812)309-46-40
Саратов (845)249-38-78
Севастополь (8692)22-31-93
Саранск (8342)22-96-24
Симферополь (3652)67-13-56
Смоленск (4812)29-41-54
Сочи (862)225-72-31
Ставрополь (8652)20-65-13
Сургут (3462)77-98-35
Сыктывкар (8212)25-95-17
Тамбов (4752)50-40-97
Тверь (4822)63-31-35

Тольятти (8482)63-91-07
Томск (3822)98-41-53
Тула (4872)33-79-87
Тюмень (3452)66-21-18
Ульяновск (8422)24-23-59
Улан-Удэ (3012)59-97-51
Уфа (347)229-48-12
Хабаровск (4212)92-98-04
Чебоксары (8352)28-53-07
Челябинск (351)202-03-61
Череповец (8202)49-02-64
Чита (3022)38-34-83
Якутск (4112)23-90-97
Ярославль (4852)69-52-93

Россия +7(495)268-04-70

Казахстан +7(727)345-47-04

Беларусь +(375)257-127-884

Узбекистан +998(71)205-18-59

Киргизия +996(312)96-26-47

эл.почта: wkd@nt-rt.ru || сайт: <https://wexiodisk.nt-rt.ru/>